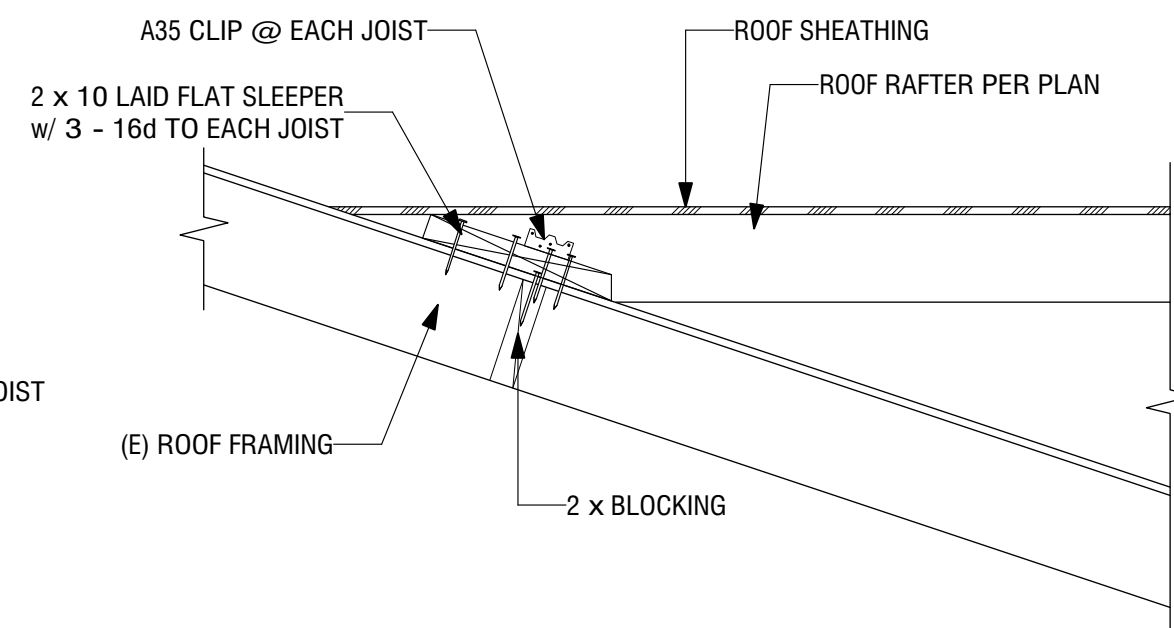
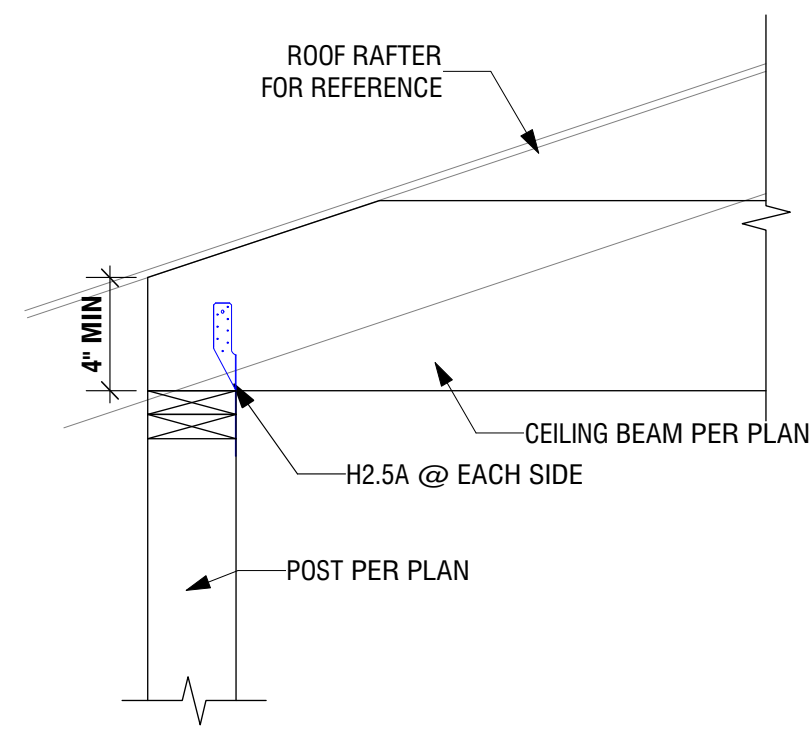


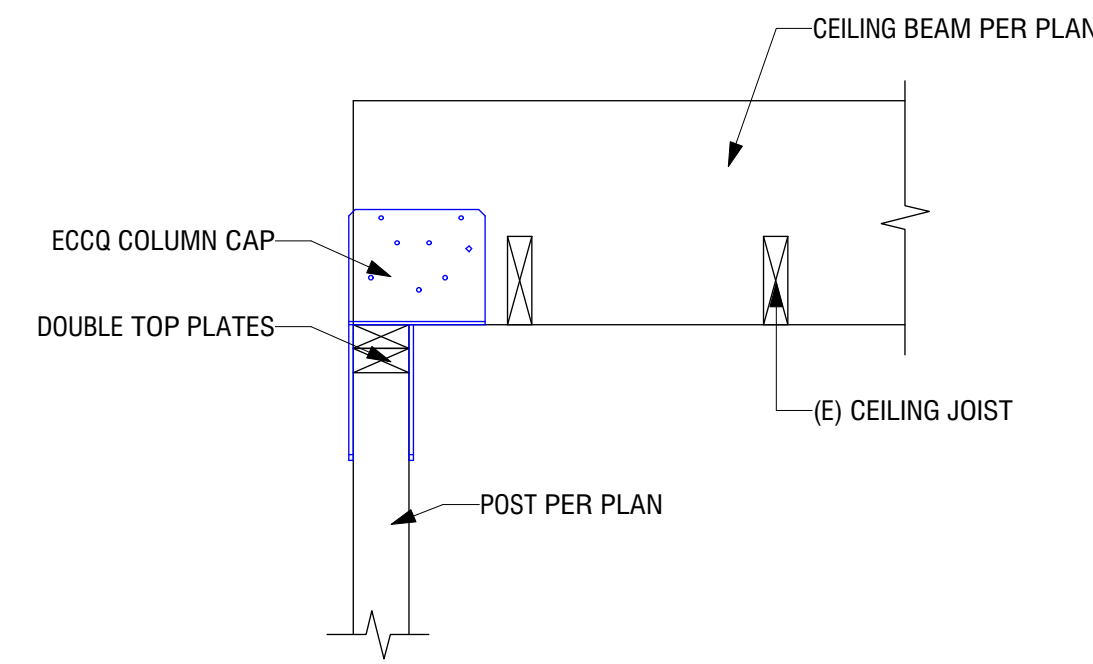
1 CEILING BEAM  
Scale: 1" = 1'-0"



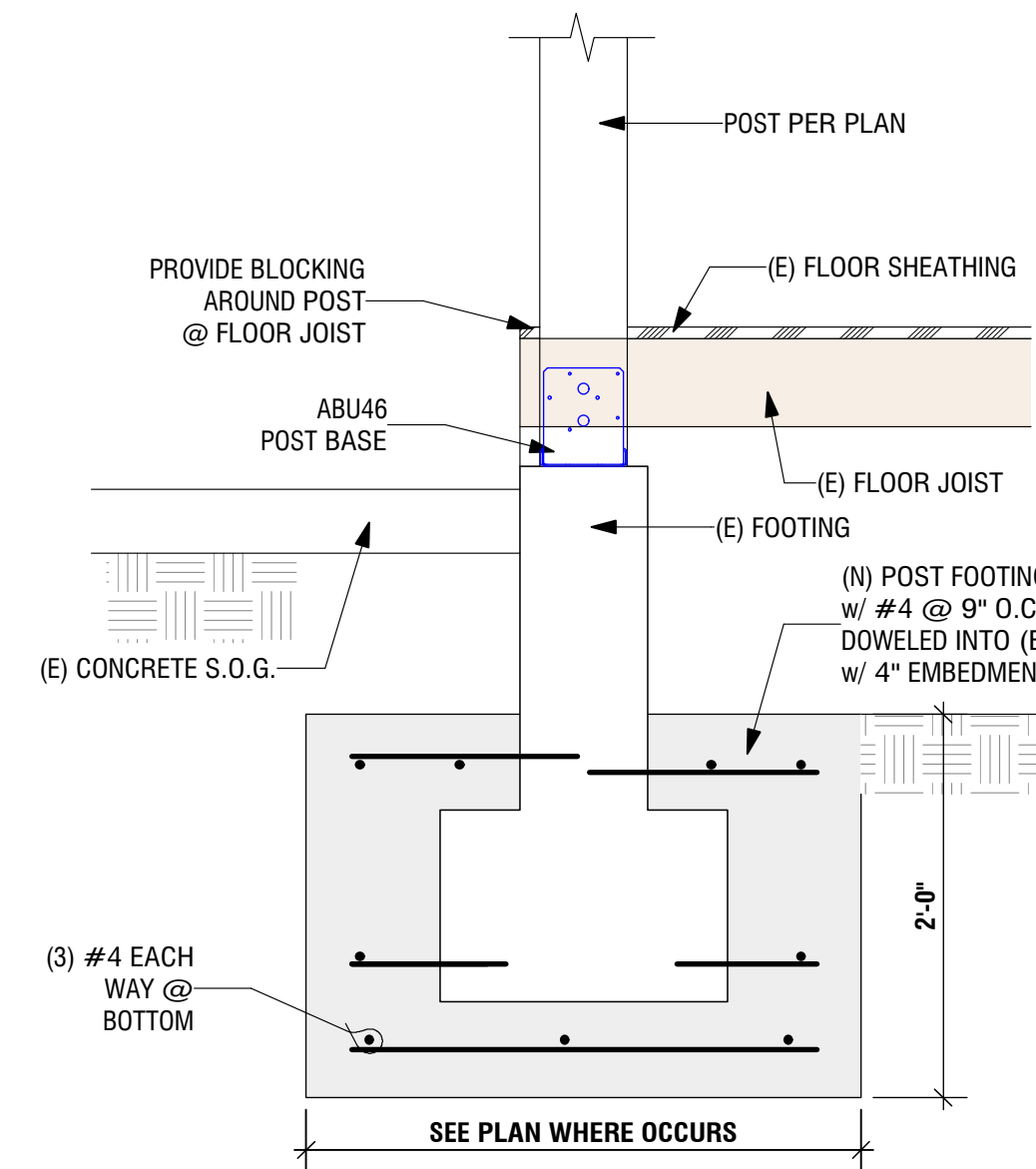
2 CALIFORNIA ROOF  
Scale: 1" = 1'-0"



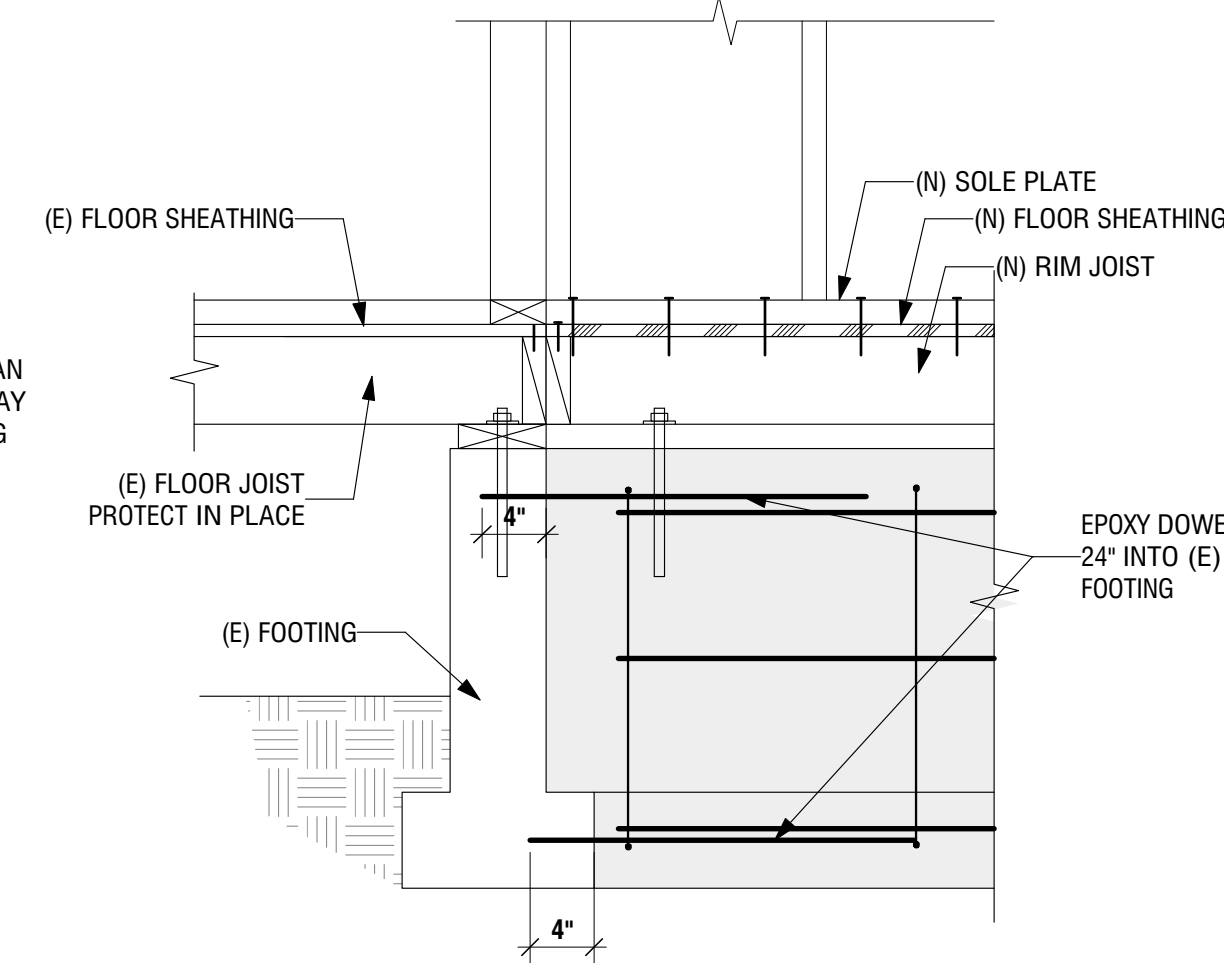
3 END OF BEAM @ EXT. WALL  
Scale: 1" = 1'-0"



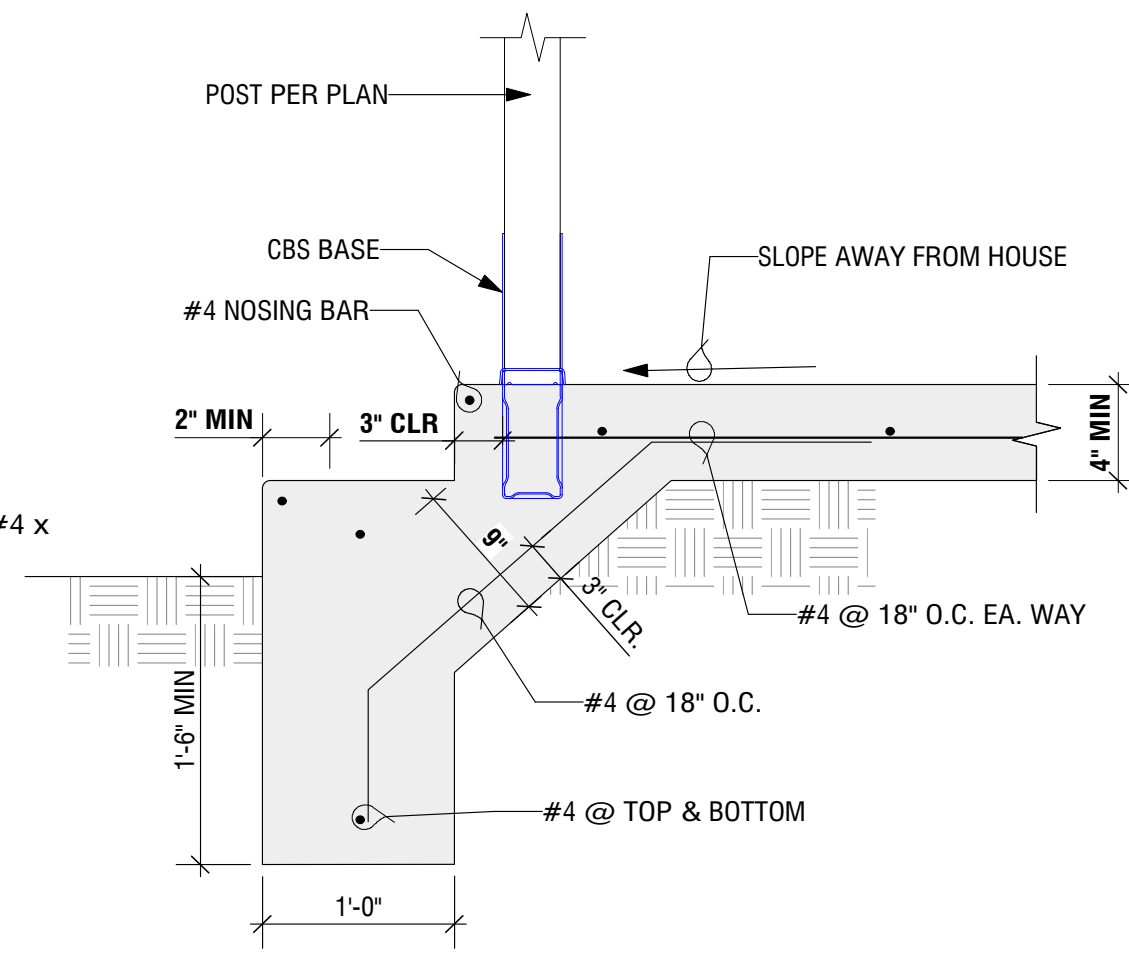
4 END OF CEILING BEAM  
Scale: 1" = 1'-0"



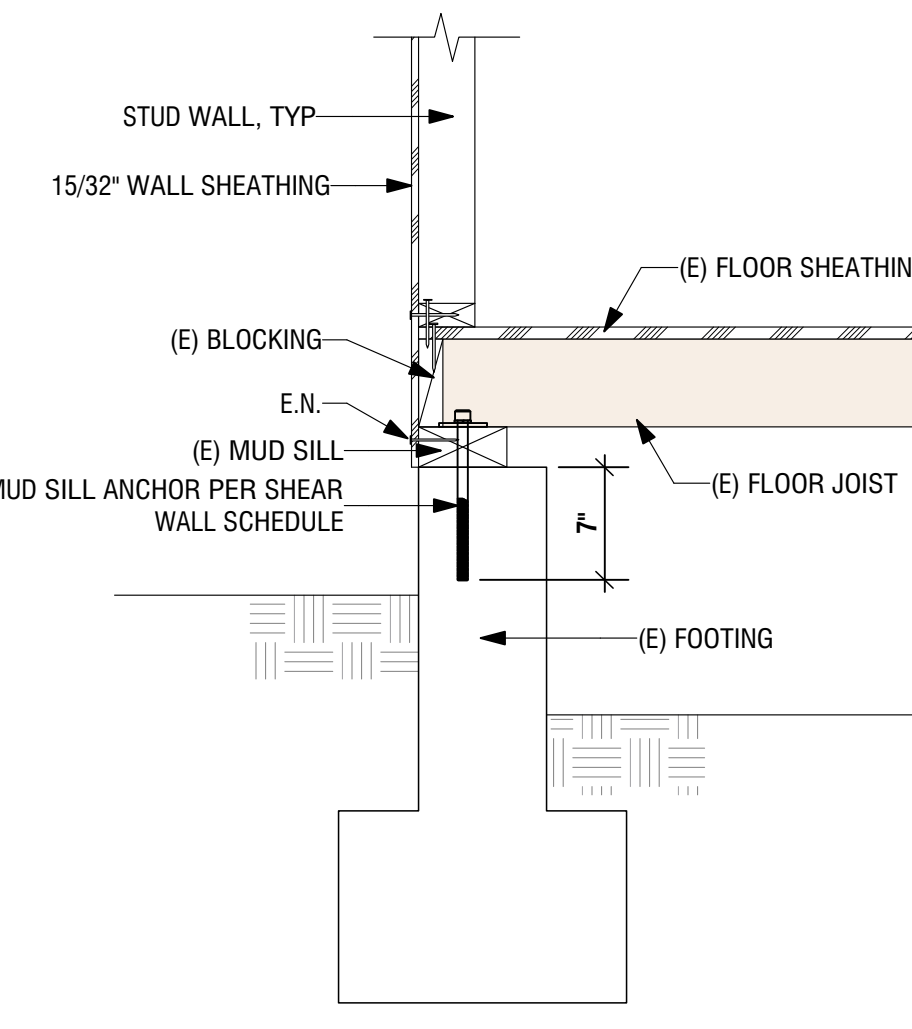
6 POST AT (E) FOOTING  
Scale: 1" = 1'-0"



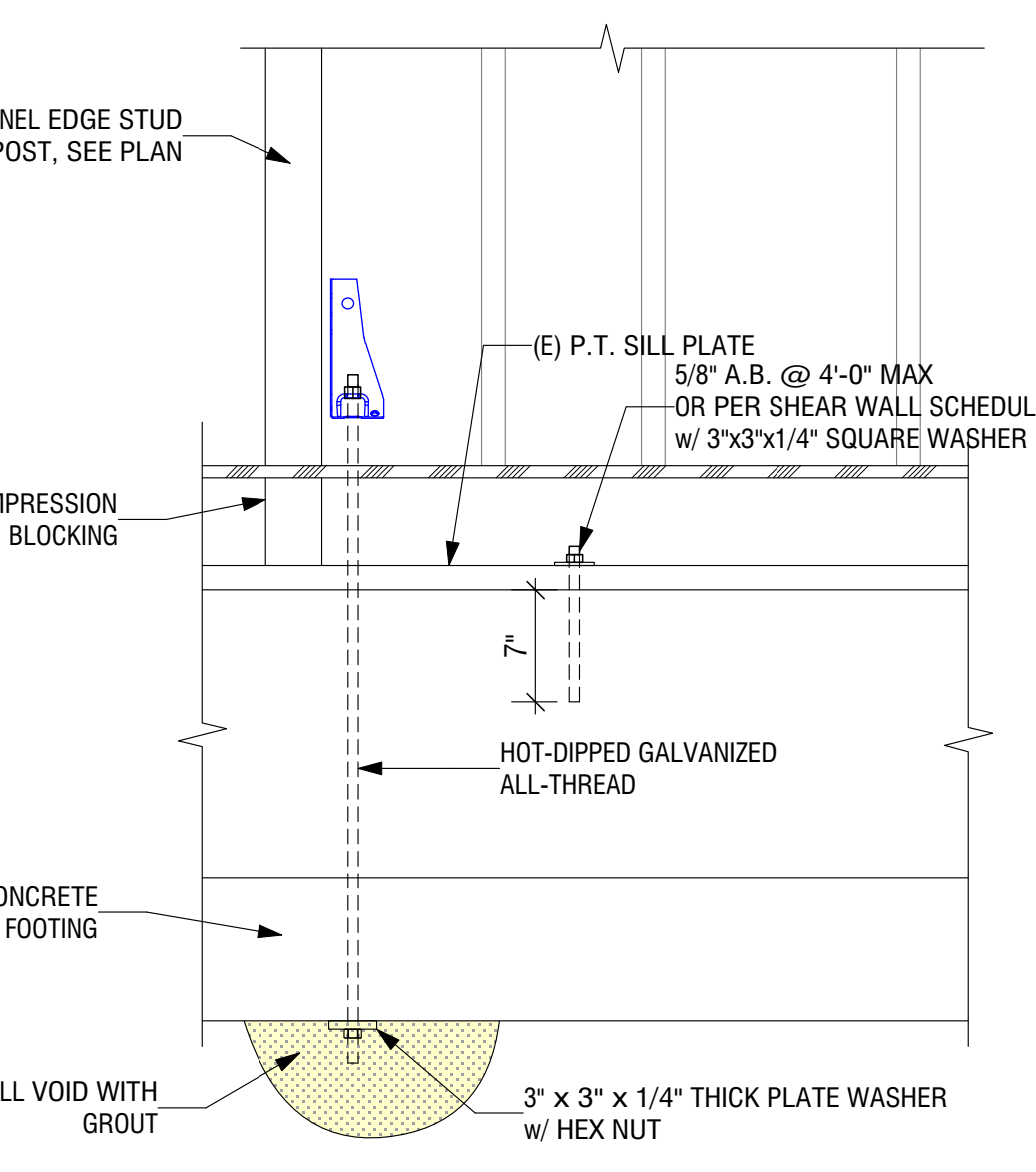
7 COLD JOINT AT FOOTING  
Scale: 1" = 1'-0"



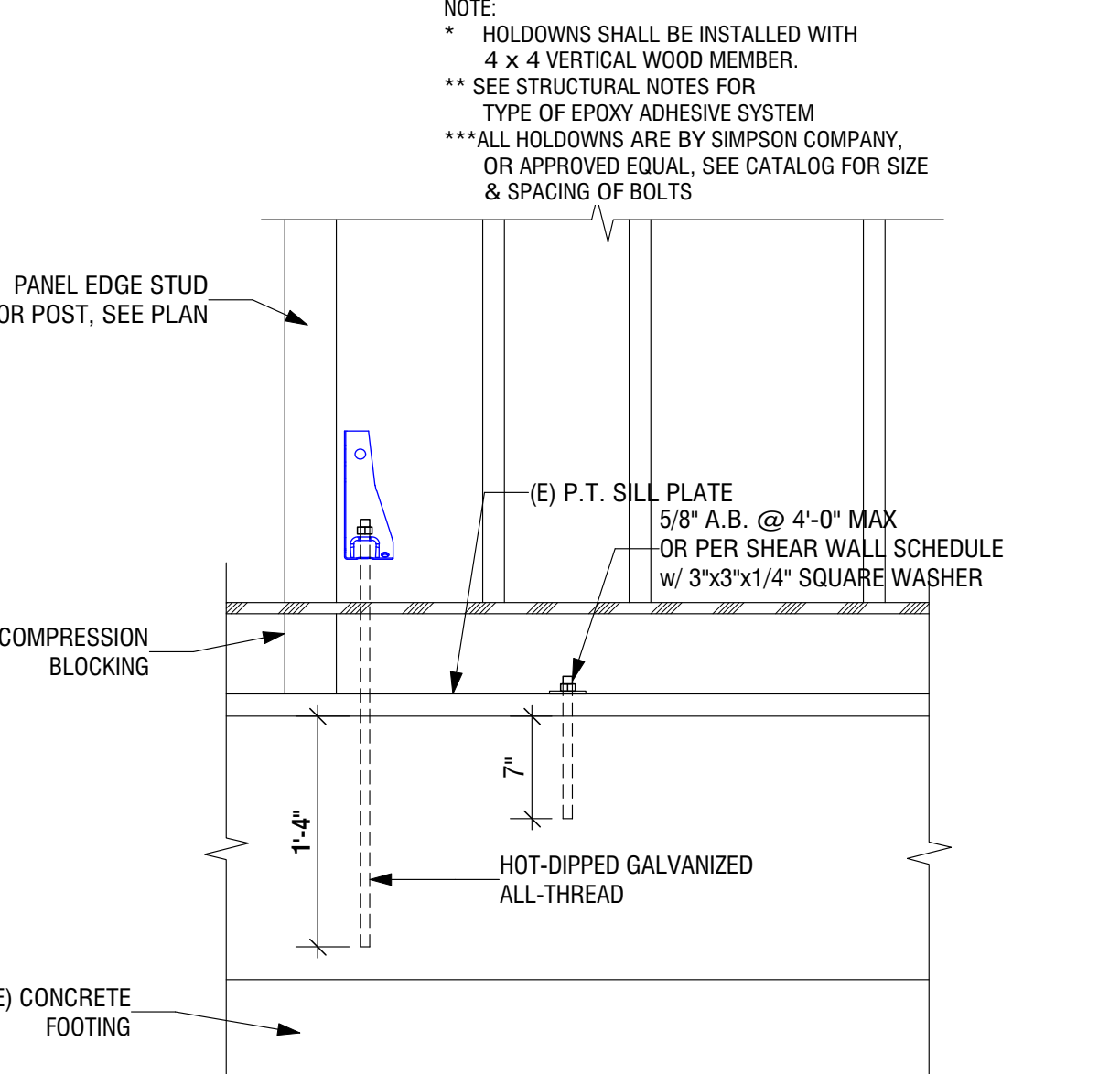
8 CONCRETE STEPS & LANDING  
Scale: 1" = 1'-0"



9 SHEAR TRANSFER AT (E) FTG.  
Scale: 1" = 1'-0"



11 THRU-BOLT ANCHOR BOLTS  
Scale: 1" = 1'-0"



12 EPOXIED ANCHOR BOLTS  
Scale: 1" = 1'-0"

NOTE:  
\* HOLDDOWNS SHALL BE INSTALLED WITH 4 x 4 VERTICAL WOOD MEMBER.  
\*\* SEE STRUCTURAL NOTES FOR TYPE OF EPOXY ADHESIVE SYSTEM  
\*\*\* ALL HOLDDOWNS ARE BY SIMPSON COMPANY, OR APPROVED EQUAL, SEE CATALOG FOR SIZE & SPACING OF BOLTS

Engineer:  
**DB ENGINEERING**  
2021 The Alameda, Suite 360  
San Jose, CA 95126  
Phone: (408) 621-0114  
Email:  
db.dbengineering@gmail.com



Designer:  
**Michael S. Radu**  
Pacific Blue Developments  
35 Colleen Way  
Campbell, CA 95008  
408-504-6826

Project:  
**INTERIOR REMODEL**  
  
**1137 VIA JOSE  
SAN JOSE,  
CA 95120**

Job Number:  
21256

Date:  
December 18, 2021

Revisions:

No.	Description

Sheet  
**S5**  
of 6 sheets